

Алматы (7273)495-231
Ангарск (3955)60-70-56
Архангельск (8182)63-90-72
Астрахань (8512)99-46-04
Барнаул (3852)73-04-60
Белгород (4722)40-23-64
Благовещенск (4162)22-76-07
Брянск (4832)59-03-52
Владивосток (423)249-28-31
Владикавказ (8672)28-90-48
Владимир (4922)49-43-18
Волгоград (844)278-03-48
Вологда (8172)26-41-59
Воронеж (473)204-51-73
Екатеринбург (343)384-55-89

Иваново (4932)77-34-06
Ижевск (3412)26-03-58
Иркутск (395)279-98-46
Казань (843)206-01-48
Калининград (4012)72-03-81
Калуга (4842)92-23-67
Кемерово (3842)65-04-62
Киров (8332)68-02-04
Коломна (4966)23-41-49
Кострома (4942)77-07-48
Краснодар (861)203-40-90
Красноярск (391)204-63-61
Курск (4712)77-13-04
Курган (3522)50-90-47
Липецк (4742)52-20-81

Магнитогорск (3519)55-03-13
Москва (495)268-04-70
Мурманск (8152)59-64-93
Набережные Челны (8552)20-53-41
Нижний Новгород (831)429-08-12
Новокузнецк (3843)20-46-81
Ноябрьск (3496)41-32-12
Новосибирск (383)227-86-73
Омск (3812)21-46-40
Орел (4862)44-53-42
Оренбург (3532)37-68-04
Пенза (8412)22-31-16
Петрозаводск (8142)55-98-37
Псков (8112)59-10-37

Пермь (342)205-81-47
Ростов-на-Дону (863)308-18-15
Рязань (4912)46-61-64
Самара (846)206-03-16
Саранск (8342)22-96-24
Санкт-Петербург (812)309-46-40
Саратов (845)249-38-78
Севастополь (8692)22-31-93
Симферополь (3652)67-13-56
Смоленск (4812)29-41-54
Сочи (862)225-72-31
Ставрополь (8652)20-65-13
Сургут (3462)77-98-35
Сыктывкар (8212)25-95-17
Тамбов (4752)50-40-97

Тверь (4822)63-31-35
Тольятти (8482)63-91-07
Томск (3822)98-41-53
Тула (4872)33-79-87
Тюмень (3452)66-21-18
Ульяновск (8422)24-23-59
Улан-Удэ (3012)59-97-51
Уфа (347)229-48-12
Хабаровск (4212)92-98-04
Чебоксары (8352)28-53-07
Челябинск (351)202-03-61
Череповец (8202)49-02-64
Чита (3022)38-34-83
Якутск (4112)23-90-97
Ярославль (4852)69-52-93

Россия +7(495)268-04-70

Казахстан +7(7172)727-132

Киргизия +996(312)96-26-47

www.aptiv.nt-rt.ru | | avi@nt-rt.ru

Технические характеристики на разъемы автомобильные SICMA PANEL- THROUGH UNSEALED, ON-BOARD DIAGNOSTIC, INLINE UNSEALED, SICMA SensoMate, SEALED RELAY SOCKETS КОМПАНИИ **APTIV PLC**

Виды товаров: влагозащищенные и негерметичные разъемы, круглые, сквозные, для бортовой диагностики.

SICMA PANEL-THROUGH UNSEALED SERIES



SICMA Panel-Through Unsealed 29W
Female & Male

BENEFITS

- Compact size for a panel mount solution and electrical link passing through a wall
- Retractable protecting grid for male terminals to avoid pin bending

FEATURES

- Pass-through bulk head type, mounted on a metal panel sheet
- Providing a convenient door-to-body or a reliable cockpit-to-engine solution



AVAILABLE CONFIGURATIONS

| | |
|----------------------------|----------------|
| Cavity Count (ways) | 24, 29, 42 |
| Cavity Configurations (mm) | 0.64, 1.5, 2.8 |
| Material | PBT |
| Genders | Female, Male |

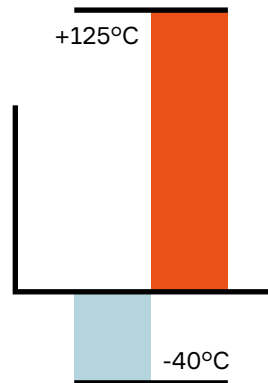


APPLICATIONS

| |
|---|
| Door-to-body connection |
| Firewall between cockpit and engine interconnection |
| Bulkhead for battery control in HV/EHV |



TEMPERATURE



VIBRATION



CONNECTOR MATING FORCE



See back page for representative part numbers and packaging dimensions.

About Aptiv


Aptiv is a global technology company that develops safer, greener and more connected solutions enabling the future of mobility. Headquartered in Dublin, Aptiv has approximately 150,000 employees and operates 14 technical centers, as well as manufacturing sites and customer support centers in 45 countries.

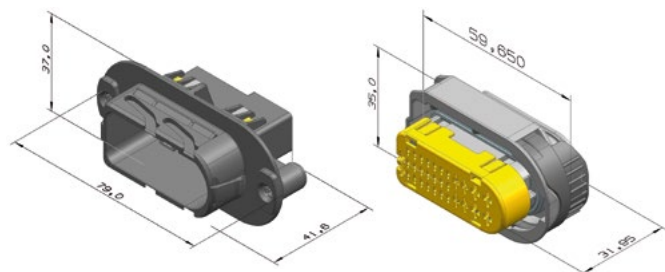


| Cavity count | Blade size (mm) | Gender | Dimensions L x W x H (mm) | Part number | Color | Indexes offered |
|--------------|-------------------------------|--------|---------------------------|-------------|-------|-----------------|
| 24 | 0.64 (12) + 1.5 (8) + 2.8 (4) | F | 35.00 x 59.65 x 31.95 | 33500458 | Black | 1 |
| | | M | 37.00 x 79.00 x 41.60 | 33500459 | | |
| 29 | 0.64 (21) + 1.5 (4) + 2.8 (4) | F | 35.00 x 59.65 x 31.95 | 10819390 | Black | 1 |
| | | M | 37.00 x 79.00 x 41.60 | 10811880 | | |
| 42 | 1.5 (34) + 2.8 (8) | F | 44.20 x 63.50 x 29.20 | 10811874 | Black | 1 |
| | | M | 47.00 x 83.50 x 42.70 | 10811875 | | |

Cover

| | | | | | | |
|---------|-----|-----|-----------------------|----------|-------|-----|
| 24 & 29 | N/A | N/A | 59.65 x 25.00 x 21.20 | 33508013 | Black | N/A |
|---------|-----|-----|-----------------------|----------|-------|-----|

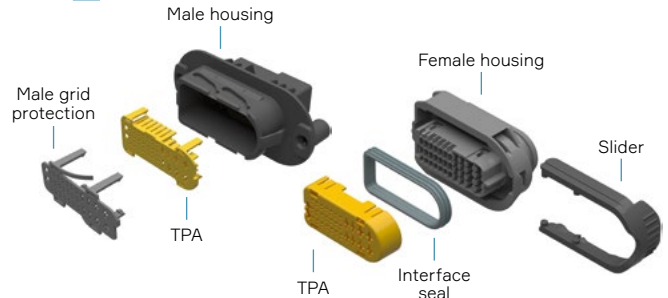
 **DIMENSION MEASUREMENT SAMPLE**



10811880

10819390

 **EXPLODED VIEW**



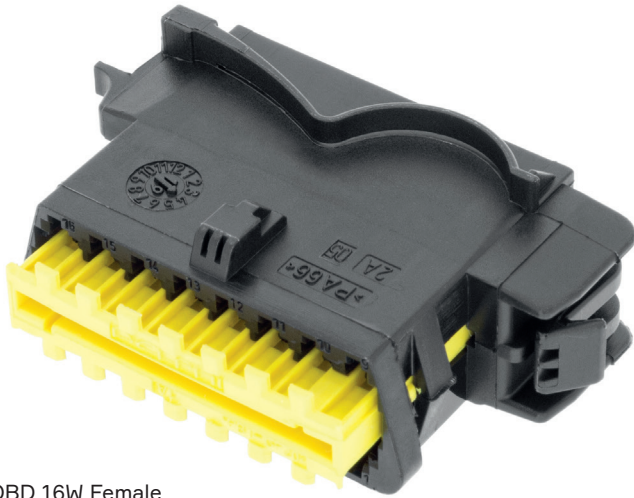
10811880

10819390

 **COMPATIBLE WITH**



ON-BOARD DIAGNOSTIC (OBD) SERIES



OBD 16W Female

BENEFITS

- Optional protection cap cover with hinge against liquid splashes
- Pass-through panel mount inside cockpit
- Easiness of wiring and small shape housing

FEATURES

- Unsealed housing for SICMA clean body terminal with lock reinforcement (TPA)
- Standard “On-Board Diagnostic (OBD)” receptacle with 16 Ways

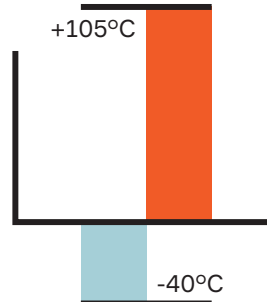


AVAILABLE CONFIGURATIONS

| | |
|--|----------------------------------|
| Cavity Count (ways) | 16 |
| Cavity Configurations (mm) | 1.5 |
| Genders | Female |
| Sealing Type | Unsealed |
| Centerline Spacing (mm) | 4.0 |
| Terminal Position Assurance (TPA) Type | Primary Lock Reinforcement (PLR) |



TEMPERATURE



APPLICATIONS

Cockpit

See back page for representative part numbers and packaging dimensions.

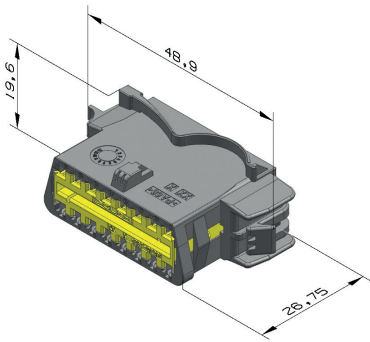
About Aptiv

Aptiv is a global technology company that develops safer, greener and more connected solutions enabling the future of mobility. Headquartered in Dublin, Aptiv has approximately 150,000 employees and operates 14 technical centers, as well as manufacturing sites and customer support centers in 45 countries.



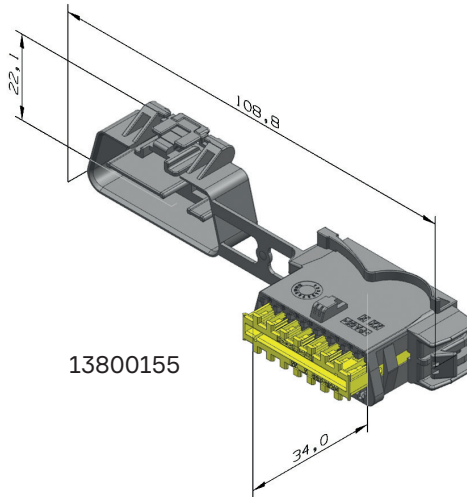
| Cavity count | Blade size (mm) | Gender | Dimensions W x H x D (mm) | Part number | Index | Color |
|--------------|-----------------|--------|---------------------------|-------------|-------------|-------|
| 16 | 1.5 | F | 108.8 x 22.1 x 31.85 | 13800155 | with cap | Gray |
| 16 | 1.5 | F | 49.3 x 19.6 x 31.85 | 13800154 | without cap | Black |

DIMENSION MEASUREMENT SAMPLE



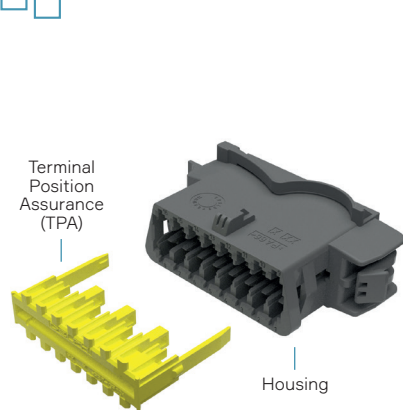
13800154

The dimensions are in mm.

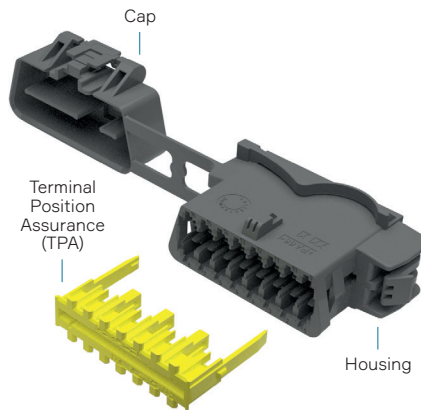


13800155

EXPLODED VIEW



13800154

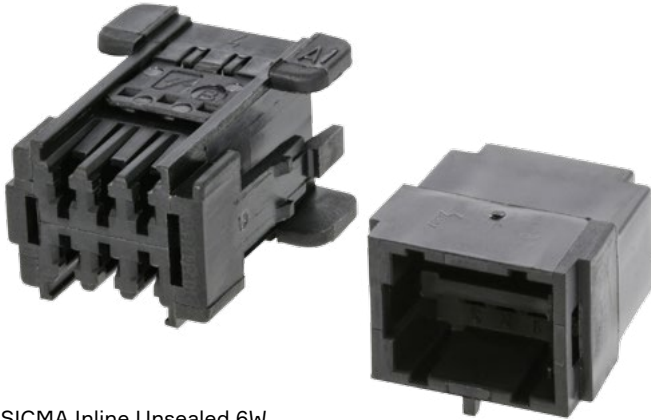


13800155

COMPATIBLE WITH



SICMA INLINE UNSEALED SERIES



SICMA Inline Unsealed 6W
Female & Male

BENEFITS

- Reliable inline harness sectioning solution
- Compact male and female housings for convenient wire-to-wire mating

FEATURES

- Mixed sizes of 1.5 and 2.8 mm terminals populating 24 and 36 Way connectors
- Standard fixing slide

AVAILABLE CONFIGURATIONS

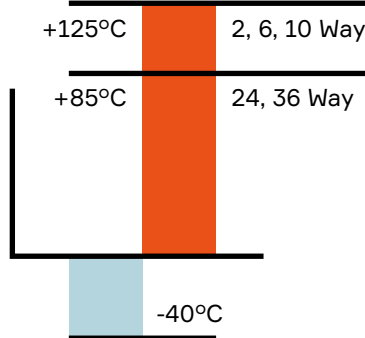
| | |
|----------------------------|------------------|
| Cavity Count (ways) | 2, 6, 10, 24, 36 |
| Cavity Configurations (mm) | 1.5, 2.8 |
| Material | PBT |
| Genders | Female, Male |

APPLICATIONS

| |
|-------------------------------|
| Harness sectioning in cockpit |
| Dashboard |
| Interior connections |

See back page for representative part numbers and packaging dimensions.

TEMPERATURE



VIBRATION



CONNECTOR MATING FORCE



2, 10 Way

6, 24 Way


36 Way

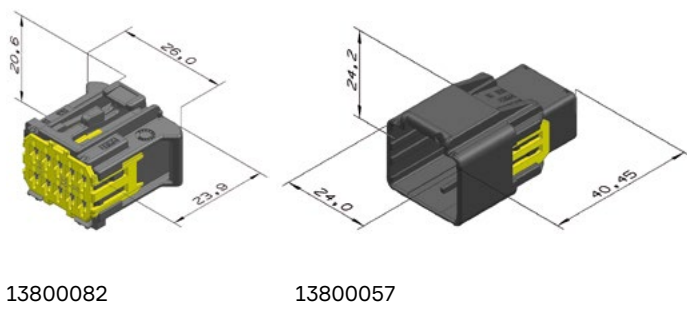
About Aptiv

Aptiv is a global technology company that develops safer, greener and more connected solutions enabling the future of mobility. Headquartered in Dublin, Aptiv has approximately 150,000 employees and operates 14 technical centers, as well as manufacturing sites and customer support centers in 45 countries.

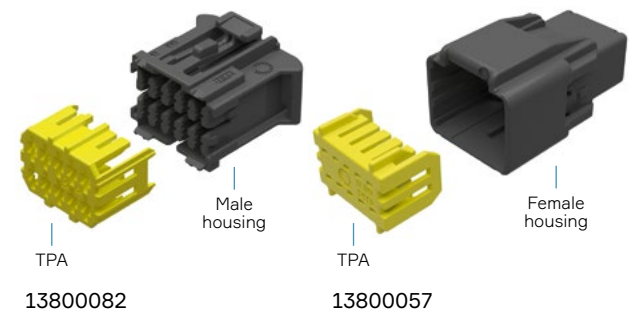


| Cavity count | Blade size (mm) | Gender | Dimensions L x W x H (mm) | Part number | Color | Index | Indexes offered |
|--------------|--------------------|--------|---------------------------|-------------|-------|-------|-----------------|
| 2 | 1.5 | F | 17.45 x 5.90 x 24.80 | 33500298 | Black | A | 1 |
| | | M | 18.15 x 14.20 x 36.80 | 33500318 | | | |
| 6 | 1.5 | F | 18.60 x 14.80 x 23.60 | 10788770 | Black | A | 5 |
| | | M | 23.30 x 15.40 x 41.00 | 10846895 | | | |
| 10 | 1.5 | F | 36.85 x 26.95 x 29.70 | 13800082 | Black | A | 5 |
| | | M | 24.20 x 24.00 x 40.45 | 13800057 | | | |
| 24 | 1.5 (18) + 2.8 (6) | F | 49.10 x 32.65 x 33.30 | 13751295 | Black | A | 3 |
| | | M | 49.10 x 32.65 x 43.90 | 33500326 | | | |
| 36 | 1.5 (30) + 2.8 (6) | F | 60.84 x 34.40 x 28.70 | 33500789 | Black | A | 2 |
| | | M | 54.20 x 25.30 x 47.15 | 13651194 | | | |

 DIMENSION MEASUREMENT SAMPLE



 EXPLODED VIEW



 COMPATIBLE WITH



SICMA SensoMate™ SERIES



SICMA SensoMate™ 6W
Female & Male

BENEFITS

- High performance connector featuring T4 / V3 performance
- Back shell covers available

FEATURES

- Suitable for harsh environment
- CPA is pre-mounted
- Compatible with Mini-Sealed family



AVAILABLE CONFIGURATIONS

| | |
|----------------------------|--------------|
| Cavity Count (ways) | 4, 5, 6 |
| Cavity Configurations (mm) | 1.5 |
| Material | PBT |
| Genders | Female, Male |
| Sealing Type | Mat Sealed |



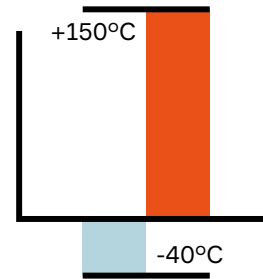
APPLICATIONS

- Sensors and actuators on engine mount
- Air filter and pressure devices

See back page for representative part numbers and packaging dimensions.



TEMPERATURE



VIBRATION



CONNECTOR MATING FORCE



SEALING PROTECTION



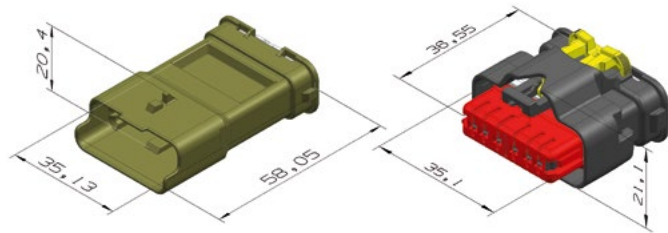
About Aptiv

Aptiv is a global technology company that develops safer, greener and more connected solutions enabling the future of mobility. Headquartered in Dublin, Aptiv has approximately 150,000 employees and operates 14 technical centers, as well as manufacturing sites and customer support centers in 45 countries.



| Cavity count | Blade size (mm) | Gender | Dimensions L x W x H (mm) | Part number | Color | Indexes offered |
|--------------|-----------------|--------|---------------------------|-------------|--------|-----------------|
| 4 | 1.5 | F | 24.50 x 20.30 x 36.55 | 13876521 | Black | 5 |
| | | M | 24.50 x 15.30 x 58.05 | 33502133 | | |
| 5 | 1.5 | F | 27.80 x 20.30 x 36.55 | 13893671 | Black | 5 |
| | | M | 27.80 x 15.30 x 58.05 | 13855072 | | |
| 6 | 1.5 | F | 35.01 x 21.10 x 32.80 | 13885362 | Yellow | 5 |
| | | M | 35.01 x 16.10 x 58.05 | 13967810 | | |

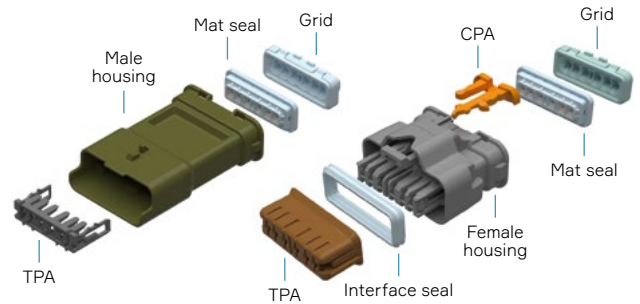
 DIMENSION MEASUREMENT SAMPLE



33511739

33511993

 EXPLODED VIEW



33511739

33511993

 COMPATIBLE WITH



SICMA SEALED RELAY SOCKETS



SICMA Sealed Relay Socket 8W Female

BENEFITS

- Reliable connection to relay lasting throughout entire vehicle life cycle
- Easily disconnected and reconnected during relay change

FEATURES

- Sliding lever mate assist for easy mating to the relay switch
- Standard to different EOBD (European on Board Diagnostics) devices



AVAILABLE CONFIGURATIONS

| | |
|----------------------------|--------------|
| Cavity Count (ways) | 8 |
| Cavity Configurations (mm) | 2.8, 8.0 |
| Material | PBT GF 15 |
| Genders | Female |
| Sealing Type | Cable Sealed |



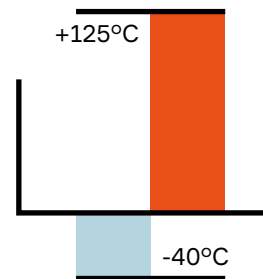
APPLICATIONS

| |
|-------------------------------|
| Pre-heating of diesel engines |
| Comfort heating of cockpit |
| Antipollution systems by EOBD |

See back page for representative part numbers and packaging dimensions.



TEMPERATURE



VIBRATION



CONNECTOR MATING FORCE



SEALING PROTECTION



About Aptiv

Aptiv is a global technology company that develops safer, greener and more connected solutions enabling the future of mobility.

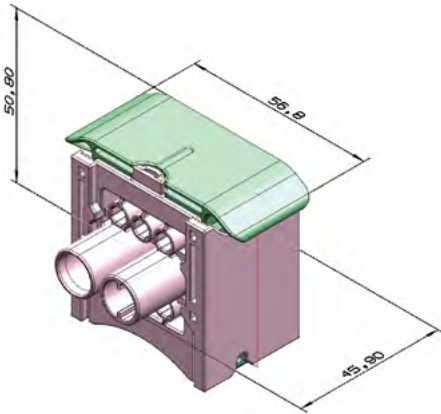


| Cavity count | Blade size (mm) | Gender | Dimensions L x W x H (mm) | Part number | Color |
|--------------|------------------|--------|---------------------------|-------------|-------|
| 8 | 2.8 (6) + 8* (2) | F | 56.8 x 50.8 x 45.9 | 10812007 | Black |
| 8 | 2.8 (6) + 8* (2) | F | 56.8 x 50.8 x 45.9 | 13949302 | Grey |

* Please, consult Aptiv.



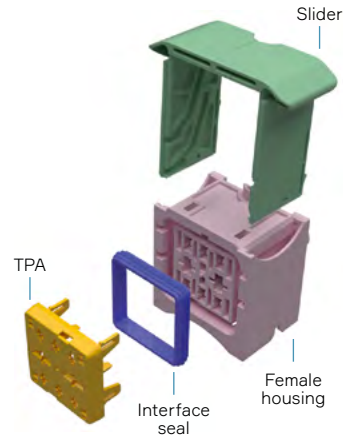
DIMENSION MEASUREMENT SAMPLE



13949302



EXPLODED VIEW



13949302



COMPATIBLE WITH



Алматы (7273)495-231
Ангарск (3955)60-70-56
Архангельск (8182)63-90-72
Астрахань (8512)99-46-04
Барнаул (3852)73-04-60
Белгород (4722)40-23-64
Благовещенск (4162)22-76-07
Брянск (4832)59-03-52
Владивосток (423)249-28-31
Владикавказ (8672)28-90-48
Владимир (4922)49-43-18
Волгоград (844)278-03-48
Вологда (8172)26-41-59
Воронеж (473)204-51-73
Екатеринбург (343)384-55-89

Иваново (4932)77-34-06
Ижевск (3412)26-03-58
Иркутск (395)279-98-46
Казань (843)206-01-48
Калининград (4012)72-03-81
Калуга (4842)92-23-67
Кемерово (3842)65-04-62
Киров (8332)68-02-04
Коломна (4966)23-41-49
Кострома (4942)77-07-48
Краснодар (861)203-40-90
Красноярск (391)204-63-61
Курск (4712)77-13-04
Курган (3522)50-90-47
Липецк (4742)52-20-81

Магнитогорск (3519)55-03-13
Москва (495)268-04-70
Мурманск (8152)59-64-93
Набережные Челны (8552)20-53-41
Нижний Новгород (831)429-08-12
Новокузнецк (3843)20-46-81
Ноябрьск (3496)41-32-12
Новосибирск (383)227-86-73
Омск (3812)21-46-40
Орел (4862)44-53-42
Оренбург (3532)37-68-04
Пенза (8412)22-31-16
Петрозаводск (8142)55-98-37
Псков (8112)59-10-37

Пермь (342)205-81-47
Ростов-на-Дону (863)308-18-15
Рязань (4912)46-61-64
Самара (846)206-03-16
Саранск (8342)22-96-24
Санкт-Петербург (812)309-46-40
Саратов (845)249-38-78
Севастополь (8692)22-31-93
Симферополь (3652)67-13-56
Смоленск (4812)29-41-54
Сочи (862)225-72-31
Ставрополь (8652)20-65-13
Сургут (3462)77-98-35
Сыктывкар (8212)25-95-17
Тамбов (4752)50-40-97

Тверь (4822)63-31-35
Тольятти (8482)63-91-07
Томск (3822)98-41-53
Тула (4872)33-79-87
Тюмень (3452)66-21-18
Ульяновск (8422)24-23-59
Улан-Удэ (3012)59-97-51
Уфа (347)229-48-12
Хабаровск (4212)92-98-04
Чебоксары (8352)28-53-07
Челябинск (351)202-03-61
Череповец (8202)49-02-64
Чита (3022)38-34-83
Якутск (4112)23-90-97
Ярославль (4852)69-52-93

Россия +7(495)268-04-70

Казахстан +7(7172)727-132

Киргизия +996(312)96-26-47