

Алматы (7273)495-231
Ангарск (3955)60-70-56
Архангельск (8182)63-90-72
Астрахань (8512)99-46-04
Барнаул (3852)73-04-60
Белгород (4722)40-23-64
Благовещенск (4162)22-76-07
Брянск (4832)59-03-52
Владивосток (423)249-28-31
Владикавказ (8672)28-90-48
Владимир (4922)49-43-18
Волгоград (844)278-03-48
Вологда (8172)26-41-59
Воронеж (473)204-51-73
Екатеринбург (343)384-55-89

Иваново (4932)77-34-06
Ижевск (3412)26-03-58
Иркутск (395)279-98-46
Казань (843)206-01-48
Калининград (4012)72-03-81
Калуга (4842)92-23-67
Кемерово (3842)65-04-62
Киров (8332)68-02-04
Коломна (4966)23-41-49
Кострома (4942)77-07-48
Краснодар (861)203-40-90
Красноярск (391)204-63-61
Курск (4712)77-13-04
Курган (3522)50-90-47
Липецк (4742)52-20-81

Магнитогорск (3519)55-03-13
Москва (495)268-04-70
Мурманск (8152)59-64-93
Набережные Челны (8552)20-53-41
Нижний Новгород (831)429-08-12
Новокузнецк (3843)20-46-81
Ноябрьск (3496)41-32-12
Новосибирск (383)227-86-73
Омск (3812)21-46-40
Орел (4862)44-53-42
Оренбург (3532)37-68-04
Пенза (8412)22-31-16
Петрозаводск (8142)55-98-37
Псков (8112)59-10-37

Пермь (342)205-81-47
Ростов-на-Дону (863)308-18-15
Рязань (4912)46-61-64
Самара (846)206-03-16
Саранск (8342)22-96-24
Санкт-Петербург (812)309-46-40
Саратов (845)249-38-78
Севастополь (8692)22-31-93
Симферополь (3652)67-13-56
Смоленск (4812)29-41-54
Сочи (862)225-72-31
Ставрополь (8652)20-65-13
Сургут (3462)77-98-35
Сыктывкар (8212)25-95-17
Тамбов (4752)50-40-97

Тверь (4822)63-31-35
Тольятти (8482)63-91-07
Томск (3822)98-41-53
Тула (4872)33-79-87
Тюмень (3452)66-21-18
Ульяновск (8422)24-23-59
Улан-Удэ (3012)59-97-51
Уфа (347)229-48-12
Хабаровск (4212)92-98-04
Чебоксары (8352)28-53-07
Челябинск (351)202-03-61
Череповец (8202)49-02-64
Чита (3022)38-34-83
Якутск (4112)23-90-97
Ярославль (4852)69-52-93

Россия +7(495)268-04-70

Казахстан +7(7172)727-132

Киргизия +996(312)96-26-47

www.aptiv.nt-rt.ru | | avi@nt-rt.ru

Технические характеристики на ПИГТЕЙЛЫ ОПТИЧЕСКИЕ SRS АК-2, SRS АК-1 КОМПАНИИ **APTIV PLC**



Part Number: 33511962

Product Name: [AK-2 Connector Position Assurance \(CPA\)](#)

AK-2 FPB180-5 SRS Connector

This part is not currently offered in our sample program.



Attributes

SRS Connector Color 1 BLUE	Serviceability Yes
SRS Connector Color 2 GREEN	Water tight No
Product Name (SRS) FPB180-5	Termination Technology Resistance welding
Wire Type FLRY-A 2x0.35 (2TAD, 5CBT)	Coding/Index I
SRS Interface AK-2	Max. operating temperature +85°C
Wire Outer Diameter Minimum (mm) 1.2	Min. operating temperature -40°C
Wire Outer Diameter Maximum (mm) 1.5	
EMI Filtering Device Ferrite	



Part Number: 33510834

Application: Passenger Compartment

Product Name: AK-1 Connector Position Assurance (CPA)

Old/Legacy Part Number: PPI0001842

Part Number:

AK-1 FAB180-5 SRS Connector

This part is not currently offered in our sample program.



Attributes

SRS Connector Color 1 WHITE	Serviceability Yes
SRS Connector Color 2 YELLOW	Water tight No
Product Name (SRS) FAB180-5	Termination Technology Resistance welding
Wire Type FLRY-A 2x0.5 (2TAD, 5CBT)	Coding/Index C
SRS Interface AK-1	Wire Size 0.5
Wire Outer Diameter Minimum (mm) 1.4	Max. operating temperature +85°C
Wire Outer Diameter Maximum (mm) 1.7	Min. operating temperature -40°C
EMI Filtering Device Ferrite	



Part Number: 33510833

Application: Passenger Compartment

Product Name: AK-1 Connector Position Assurance (CPA)

Old/Legacy Part Number: PPI0001841

AK-1 FAB180-5 SRS Connector

This part is not currently offered in our sample program.



Attributes

SRS Connector Color 1 GRAY	Serviceability Yes
SRS Connector Color 2 WHITE	Water tight No
Product Name (SRS) FAB180-5	Termination Technology Resistance welding
Wire Type FLRY-A 2x0.5 (2TAD, 5CBT)	Coding/Index B
SRS Interface AK-1	Wire Size 0.5
Wire Outer Diameter Minimum (mm) 1.4	Max. operating temperature +85°C
Wire Outer Diameter Maximum (mm) 1.7	Min. operating temperature -40°C
EMI Filtering Device Ferrite	



Part Number: 33510832

Application: Passenger Compartment

Product Name: [AK-1 Connector Position Assurance \(CPA\)](#)

Old/Legacy Part Number: PPI0001840

Part Number:

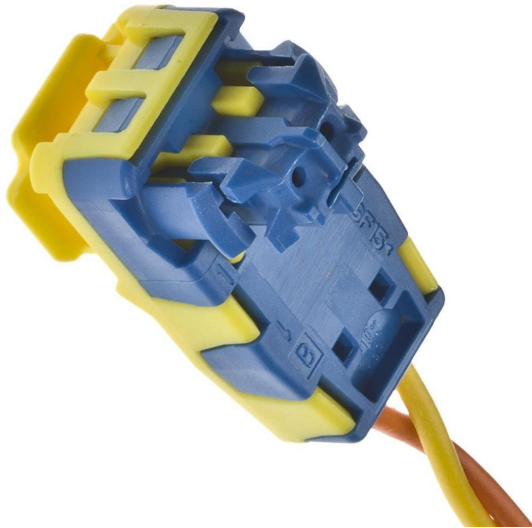
AK-1 FAB180-5 SRS Connector

This part is not currently offered in our sample program.



Attributes

SRS Connector Color 1 BLUE	Serviceability Yes
SRS Connector Color 2 BROWN	Water tight No
Product Name (SRS) FAB180-5	Termination Technology Resistance welding
Wire Type FLRY-A 2x0.5 (2TAD, 5CBT)	Coding/Index A
SRS Interface AK-1	Wire Size 0.5
Wire Outer Diameter Minimum (mm) 1.4	Max. operating temperature +85°C
Wire Outer Diameter Maximum (mm) 1.7	Min. operating temperature -40°C
EMI Filtering Device Ferrite	



Part Number: 33510828

Application: Passenger Compartment

Product Name: AK-1 Connector Position Assurance (CPA)

Old/Legacy Part Number: PPI0001660

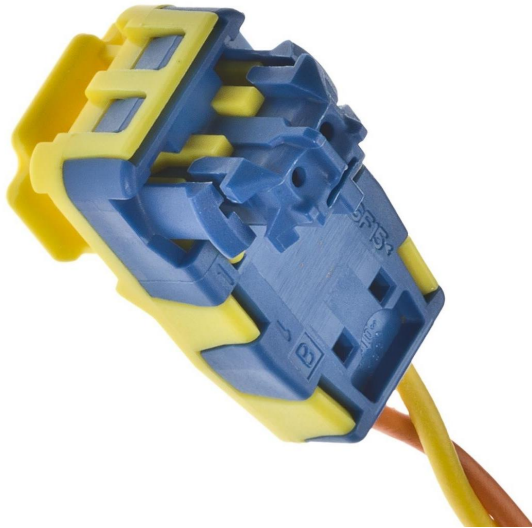
Part Number:

AK-1 FAB90-5 SRS Connector

This part is not currently offered in our sample program.

Attributes

SRS Connector Color 1 BLUE	Serviceability Yes
SRS Connector Color 2 BROWN	Water tight No
Product Name (SRS) FAB90-5	Termination Technology Resistance welding
Wire Type FLRY-A 2x0.5 (2TAD, 5CBT)	Coding/Index A
SRS Interface AK-1	Wire Size 0.5
Wire Outer Diameter Minimum (mm) 1.4	Max. operating temperature +85°C
Wire Outer Diameter Maximum (mm) 1.7	Min. operating temperature -40°C
EMI Filtering Device Ferrite	



Part Number: 33510827

Application: Passenger Compartment

Product Name: AK-1 Connector Position Assurance (CPA)

Old/Legacy Part Number: PPI0001626

Part Number:

AK-1 FAB90-5 SRS Connector

This part is not currently offered in our sample program.

Attributes

SRS Connector Color 1
GRAY

Serviceability
Yes

SRS Connector Color 2
WHITE

Water tight
No

Product Name (SRS)
FAB90-5

Termination Technology
Resistance welding

Wire Type
FLRY-A 2x0.5 (2TAD, 5CBT)

Coding/Index
B

SRS Interface
AK-1

Wire Size
0.5

Wire Outer Diameter Minimum (mm)
1.4

Max. operating temperature
+85°C

Wire Outer Diameter Maximum (mm)
1.7

Min. operating temperature
-40°C

EMI Filtering Device
Ferrite



Part Number: 33510824

Product Name: AK-2 Connector Position Assurance (CPA)

Old/Legacy Part Number: PPI0001144

Part Number:

AK-2 FPB180-5 SRS Connector

This part is not currently offered in our sample program.



Attributes

SRS Connector Color 1
WHITE

Serviceability
Yes

SRS Connector Color 2
YELLOW

Water tight
No

Product Name (SRS)
FPB180-5

Termination Technology
Resistance welding

Wire Type
FLRY-A 2x0.5 (2TAD, 5CBT)

Coding/Index
III

SRS Interface
AK-2

Wire Size
0.5

Wire Outer Diameter Minimum (mm)
1.4

Max. operating temperature
+85°C

Wire Outer Diameter Maximum (mm)
1.7

Min. operating temperature
-40°C

EMI Filtering Device
Ferrite



Part Number: 33510823

Product Name: AK-2 Connector Position Assurance (CPA)

Old/Legacy Part Number: PPI0001143

Part Number:

AK-2 FPB180-5 SRS Connector

This part is not currently offered in our sample program.



Attributes

SRS Connector Color 1
GRAY

Serviceability
Yes

SRS Connector Color 2
WHITE

Water tight
No

Product Name (SRS)
FPB180-5

Termination Technology
Resistance welding

Wire Type
FLRY-A 2x0.5 (2TAD, 5CBT)

Coding/Index
II

SRS Interface
AK-2

Wire Size
0.5

Wire Outer Diameter Minimum (mm)
1.4

Max. operating temperature
+85°C

Wire Outer Diameter Maximum (mm)
1.7

Min. operating temperature
-40°C

EMI Filtering Device
Ferrite

Part Number: 33510819

Product Name: AK-2 Connector Position Assurance (CPA)

Old/Legacy Part Number: PPI0001878

Part Number:

AK-2 FPB90-5 SRS Connector

This part is not currently offered in our sample program.



Attributes

SRS Connector Color 1 WHITE	Serviceability Yes
SRS Connector Color 2 YELLOW	Water tight No
Product Name (SRS) FPB90-5	Termination Technology Resistance welding
Wire Type FLRY-A 2x0.5 (2TAD, 5CBT)	Coding/Index III
SRS Interface AK-2	Wire Size 0.5
Wire Outer Diameter Minimum (mm) 1.4	Max. operating temperature +85°C
Wire Outer Diameter Maximum (mm) 1.7	Min. operating temperature -40°C
EMI Filtering Device Ferrite	

Part Number: 33510818

Product Name: AK-2 Connector Position Assurance (CPA)

Old/Legacy Part Number: PPI0001877

Part Number:

AK-2 FPB90-5 SRS Connector



This part is not currently offered in our sample program.

Attributes

SRS Connector Color 1
GRAY

Serviceability
Yes

SRS Connector Color 2
WHITE

Water tight
No

Product Name (SRS)
FPB90-5

Termination Technology
Resistance welding

Wire Type
FLRY-A 2x0.5 (2TAD, 5CBT)

Coding/Index
II

SRS Interface
AK-2

Wire Size
0.5

Wire Outer Diameter Minimum (mm)
1.4

Max. operating temperature
+85°C

Wire Outer Diameter Maximum (mm)
1.7

Min. operating temperature
-40°C

EMI Filtering Device
Ferrite

Part Number: 33510817

Product Name: [AK-2 Connector Position Assurance \(CPA\)](#)

AK-2 FPB90-5 SRS Connector

This part is not currently offered in our sample program.



Attributes

SRS Connector Color 1 BROWN	Serviceability Yes
SRS Connector Color 2 VIOLET	Water tight No
Product Name (SRS) FPB90-5	Termination Technology Resistance welding
Wire Type FLRY-A 2x0.35 (2TAD, 5CBT)	Coding/Index III
SRS Interface AK-2	Wire Size 0.35
Wire Outer Diameter Minimum (mm) 1.2	Max. operating temperature +85°C
Wire Outer Diameter Maximum (mm) 1.5	Min. operating temperature -40°C
EMI Filtering Device Ferrite	

Part Number: 33510816

Product Name: [AK-2 Connector Position Assurance \(CPA\)](#)

AK-2 FPB90-5 SRS Connector

This part is not currently offered in our sample program.



Attributes

SRS Connector Color 1 GRAY	Serviceability Yes
SRS Connector Color 2 RED	Water tight No
Product Name (SRS) FPB90-5	Termination Technology Resistance welding
Wire Type FLRY-A 2x0.35 (2TAD, 5CBT)	Coding/Index II
SRS Interface AK-2	Wire Size 0.35
Wire Outer Diameter Minimum (mm) 1.2	Max. operating temperature +85°C
Wire Outer Diameter Maximum (mm) 1.5	Min. operating temperature -40°C
EMI Filtering Device Ferrite	

Part Number: 33510815

Product Name: [AK-2 Connector Position Assurance \(CPA\)](#)

AK-2 FPB90-5 SRS Connector

This part is not currently offered in our sample program.



Attributes

SRS Connector Color 1 BLUE	Serviceability Yes
SRS Connector Color 2 GREEN	Water tight No
Product Name (SRS) FPB90-5	Termination Technology Resistance welding
Wire Type FLRY-A 2x0.35 (2TAD, 5CBT)	Coding/Index I
SRS Interface AK-2	Wire Size 0.35
Wire Outer Diameter Minimum (mm) 1.2	Max. operating temperature +85°C
Wire Outer Diameter Maximum (mm) 1.5	Min. operating temperature -40°C
EMI Filtering Device Ferrite	



Part Number: 33503567

Product Name: [AK-2 Connector Position Assurance \(CPA\)](#)

AK-2 FPB180-5 SRS Connector

This part is not currently offered in our sample program.



Attributes

SRS Connector Color 1 BROWN	Serviceability Yes
SRS Connector Color 2 VIOLET	Water tight No
Product Name (SRS) FPB180-5	Termination Technology Resistance welding
Wire Type FLRY-A 2x0.35 (2TAD, 5CBT)	Coding/Index III
SRS Interface AK-2	Wire Size 0.35
Wire Outer Diameter Minimum (mm) 1.2	Max. operating temperature +85°C
Wire Outer Diameter Maximum (mm) 1.5	Min. operating temperature -40°C
EMI Filtering Device Ferrite	



Part Number: 33503566

Product Name: AK-2 Connector Position Assurance (CPA)

Old/Legacy Part Number: PPI0001899

Part Number:

AK-2 FPB180-5 SRS Connector

This part is not currently offered in our sample program.



Attributes

SRS Connector Color 1 GRAY	Serviceability Yes
SRS Connector Color 2 RED	Water tight No
Product Name (SRS) FPB180-5	Termination Technology Resistance welding
Wire Type FLRY-A 2x0.35 (2TAD, 5CBT)	Coding/Index II
SRS Interface AK-2	Wire Size 0.35
Wire Outer Diameter Minimum (mm) 1.2	Max. operating temperature +85°C
Wire Outer Diameter Maximum (mm) 1.5	Min. operating temperature -40°C
EMI Filtering Device Ferrite	



Part Number: 15544222

Product Name: [AK-2 Connector Position Assurance \(CPA\)](#)

AK-2 FPB180-5 SRS Connector

This part is not currently offered in our sample program.



Attributes

SRS Connector Color 1 BLUE	Serviceability Yes
SRS Connector Color 2 BROWN	Water tight No
Product Name (SRS) FPB180-5	Termination Technology Resistance welding
Wire Type FLRY-A 2x0.5 (2TAD, 5CBT)	Coding/Index I
SRS Interface AK-2	Wire Size 0.5
Wire Outer Diameter Minimum (mm) 1.4	Max. operating temperature +85°C
Wire Outer Diameter Maximum (mm) 1.7	Min. operating temperature -40°C
EMI Filtering Device Ferrite	

Part Number: 13925537

Product Name: [AK-2 Connector Position Assurance \(CPA\)](#)

AK-2 FPB90-5 SRS Connector

This part is not currently offered in our sample program.



Attributes

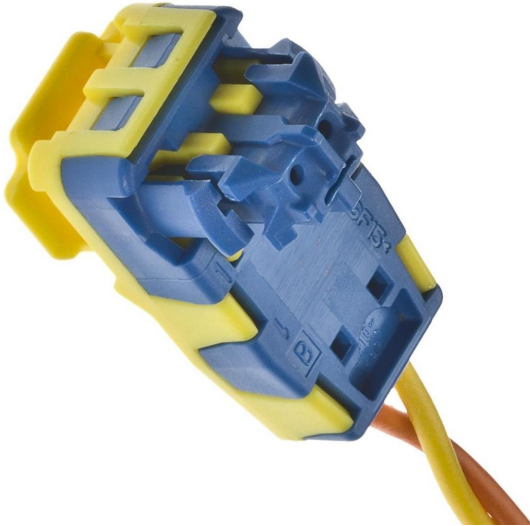
SRS Connector Color 1 BLUE	Serviceability Yes
SRS Connector Color 2 BROWN	Water tight No
Product Name (SRS) FPB90-5	Termination Technology Resistance welding
Wire Type FLRY-A 2x0.5 (2TAD, 5CBT)	Coding/Index I
SRS Interface AK-2	Wire Size 0.5
Wire Outer Diameter Minimum (mm) 1.4	Max. operating temperature +85°C
Wire Outer Diameter Maximum (mm) 1.7	Min. operating temperature -40°C
EMI Filtering Device Ferrite	

Part Number: 13802332

Application: Passenger Compartment

Product Name: AK-1 Connector Position Assurance (CPA)

AK-1 FAB90-5 SRS Connector



Attributes

SRS Connector Color 1
WHITE

Serviceability
Yes

SRS Connector Color 2
YELLOW

Water tight
No

Product Name (SRS)
FAB90-5

Termination Technology
Resistance welding

Wire Type
FLRY-A 2x0.5 (2TAD, 5CBT)

Coding/Index
C

SRS Interface
AK-1

Wire Size
0.5

Wire Outer Diameter Minimum (mm)
1.4

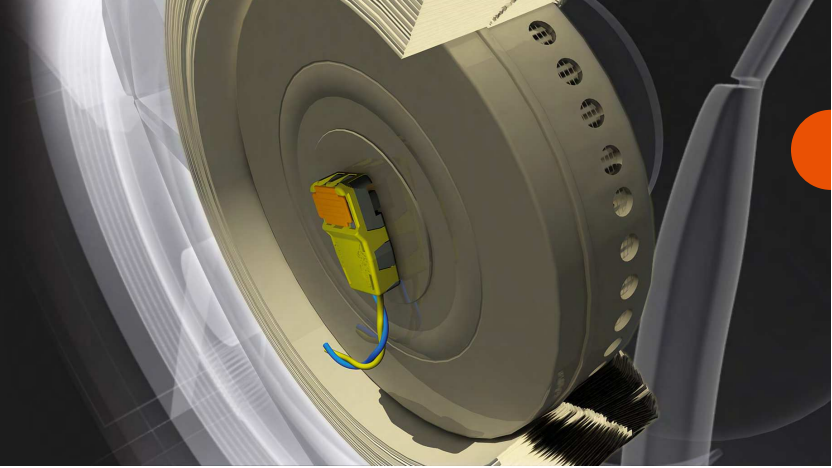
Max. operating temperature
+85°C

Wire Outer Diameter Maximum (mm)
1.7

Min. operating temperature
-40°C

EMI Filtering Device
Ferrite

Superior technology that saves lives and exceeds your expectations



1 Resistance welding

Resistance welding, as a replacement for the mechanical crimp of terminal to wire, has gained traction in the industry as the preferred connection technology for squib connectors. Superior mechanical and electrical stability over the lifetime is the major criteria for selecting this solution. Our products feature the benefits of resistance welding.



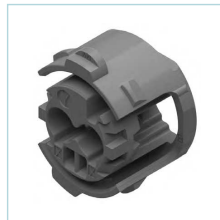
2 CES/CPA system

The patented Aptiv CES (Connector Engaged Safety) system employs the CPA (Connector Position Assurance) locking mechanism to create a reliable and safe mating process, ensuring a fully locked connector on the inflator. This valuable feature is the result of our best thinking over more than 20 years of experience supplying the industry.



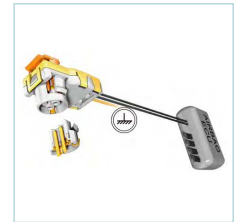
3 Shorting bar removal

Modern airbag modules are a lot more robust against electrostatic discharge (ESD). This opened the door to develop a new interface without shorting bar and created the ABX-5 connector family.



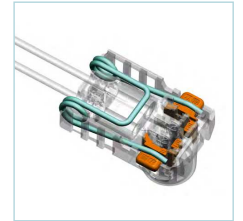
4 ESD (Electro-Static Discharge) system

Aptiv offers a squib connector that incorporates a grounding lead. Airbag modules have to be grounded in many cases, which can be complicated and expensive. You can avoid using metal brackets or grounding straps if you introduce Aptiv's ESD system.



5 Spring Lock connectors

A go/no-go adds a self-rejection feature to the connector design to give visible feedback if the connector has been mounted properly. Also the electrical connection will disconnect automatically when the connector has not reached the final locking position.



6 Sealed applications

Squib connectors used for pedestrian protection or battery cutoff are often exposed to the harsh engine compartment environment. Aptiv has introduced connector solutions to help meet the specific requirements of these exposed pyrotechnic devices.

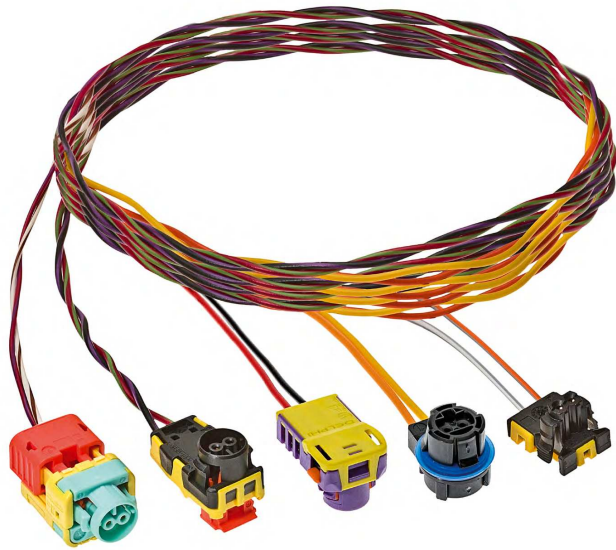


7 The most compact products on the market

Space constraints can be a problem in the design of airbag modules, such as driver or side airbags. Aptiv has more than a decade of experience offering some of the most compact designs in the market. Ask about our low-profile connectors with less than 5 mm of protrusion.



Reliability is a matter of wiring expertise



Aptiv brings technology together in a ready-to-use solution: the “pigtail.”

systems through stable resistance conditions and a monitoring function to indicate proper connection.

A pigtail is defined as a connector featuring a pre-attached length of wire. The user specifies the connector, and length, type and color of the wire. All of the critical internal connector assembly (wire termination, wire strain relief and cutting to length) is done for you.

Our manufacturing equipment has been tuned to a high level of reliability and efficiency over the years. This level of quality and completeness is exactly what is needed in safety and airbag circuits.

The squib connector and pigtail

A squib connector must perform in all the customary automotive environments related to vibration, heat, assembly abuse and even harsh environment in certain applications. Unique to

airbag applications, the squib connection system must also possess circuit filtering capability, feature a small form factor for tight packaging, and cooperate with onboard diagnostic

The advantages of a jumper harness

In other applications, such as side airbags in seats, it is more convenient to have wiring pre-assembled to the airbag and then shipped to the seat integrator.

Aptiv supports this with customizable jumper harness assemblies featuring the squib

connector at one end, a standard connector at the other, and attachment accessories in between. All shipped to the airbag manufacturer ready to connect. Whether your job is to supply the airbag, the vehicle wiring, or one of its modules, we will work with you to design the best solution.



AK-2+ Jumper

A comprehensive product portfolio

1 ABX-5: The successor to the current global AK-2 standard

- Reduction of system costs and higher robustness due to shorting bar removal from the retainer
- Available in a Spring Lock and CPA* version featuring a simplified mating monitoring.
- 100% scoop-proof ABX-5 interface.



2 AK-2: SRS best-in-class all-rounder

- Features a scoop-proof interface, noise filtering and shorting clip activation.
- Our most popular product is removable for service.
- An excellent general-purpose squib connector.



3 Stay grounded with AK-2+ ESD**

- 100% scoop-proof AK-2+ interface.
- Integrated grounding solution to eliminate potential misfiring caused by electrostatic discharge on the initiator.



4 ABX-3: the space maker

- One of the smallest full-featured design on the market.
- Smaller form factor for applications with very tight space constraints.



5 Stay dry with our sealed connectors

- Cost effective UC solution not requiring a retainer.
- Connector and pigtail are handled as if part of the ignitor.
- Fully serviceable Pyrofuse solution for harsh environment, can be disassembled from the ignitor interface.
- Sealed performance for applications external to the cockpit.



6 A full family of retainers

- Match with FCI, AK-1, AK-2, AK-2+ and ABX-5 interface connectors.
- Shorting bar protection for the ignitor excluding ABX-5.
- Different levels of scoop-proofing and indexing.



	Termination type	CES-CPA	Spring Lock	No CPA (Reversed legs)	Scoop-proof	Sealed	Main features
ABX-5	Welding	90°/180°	90°/180°	No	Yes	No	No shorting clip
AK-2	Welding	90°/180°	90°/180°	No	Yes	No	Standard AK-2 product
AK-2 ESD*	Welding	90°	90°/180°	No	Yes	No	Integrated grounding
ABX-3	Crimp	No	No	90°/180°	No	No	Miniaturized design
ABX-UC sealed	Welding	No	No	90°	No	Yes	No retainer needed
ABX-UC unsealed	Crimp	No	No	90°	No	No	No retainer needed
Pyrofuse	Welding	90°	No	No	Improved	Yes	Sealed & serviceable

* Electro-Static Discharge

* Connector Position Assurance
** Electro-Static Discharge

AK-2 CLASSIC CPA

SQUIB CONNECTORS



BENEFITS

- Best in class quality, due to fully automated production
- Release for the majority of OEMs
- Automated section side crimping available

FEATURES

- 100% scoop-proof interface and excellent blind mating characteristics
- Robust and ergonomic design
- 3 codings compatible with retainers according to ISO 19072-4 and USCAR 999-U-002-1-Z03
- Compatible with initiator according to ISO 19072-1 and USCAR 999-U-002-1-Z02



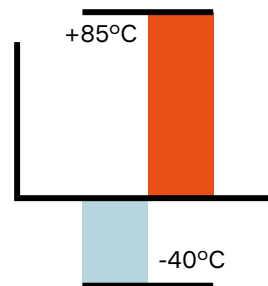
TECHNICAL CHARACTERISTICS

Interface	AK-2
Serviceability	Serviceable
Emi Filtering Device	Ferrite
Locking Type	Active CPA*
Termination Technology	Welding

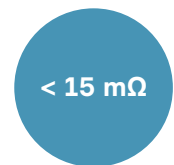
* Connector Position Assurance



TEMPERATURE



CONTACT RESISTANCE



APPLICATIONS

Passenger compartment

See back page for representative part numbers and packaging dimensions.



DIELECTRIC TEST

750V/DC



PULL-OUT FORCE

> 135 N

About Aptiv

Aptiv is a global technology company that develops safer, greener and more connected solutions enabling the future of mobility. Headquartered in Dublin, Aptiv has approximately 150,000 employees and operates 14 technical centers, as well as manufacturing sites and customer support centers in 45 countries.



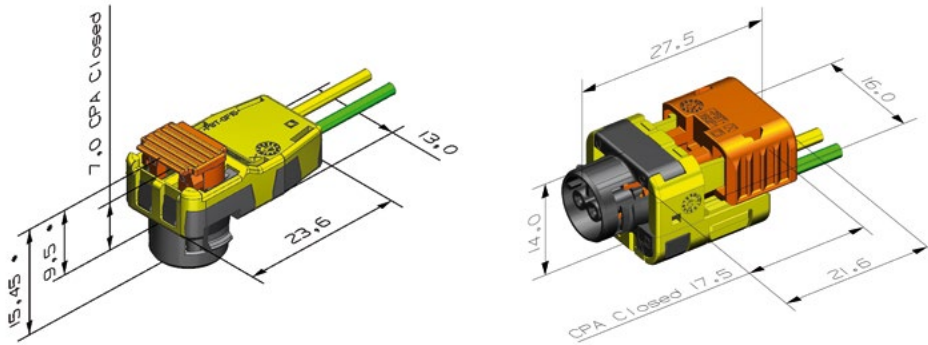


Product code	FPB90-5	FPB180-5
Interface	AK-2	AK-2
Available codings	I, II, III	I, II, III
Compatible wire size	0.35 mm ² , 0.5 mm ² , 0.75 mm ²	0.35 mm ² , 0.5 mm ² , 0.75 mm ²

For the matching part numbers, please contact your Aptiv representatives.



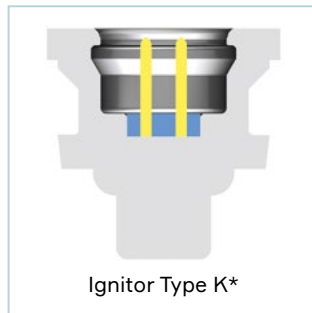
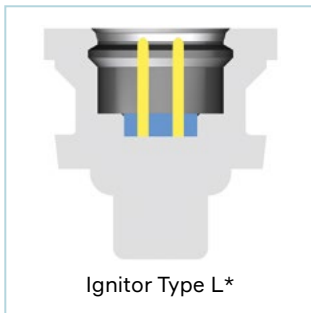
DIMENSION MEASUREMENT SAMPLE



The dimensions are in mm.



MATES WITH



* Ignitors are not manufactured by Aptiv, please contact your usual supplier.

AK-1 CLASSIC CPA

SQUIB CONNECTOR



BENEFITS

- Best in class quality, due to fully automated production
- Superior lifetime stability through resistance welded wires

FEATURES

- Robust and ergonomic design
- 3 codings compatible with retainers according to NF R 13-483
- Compatible with initiator according to ISO 19072-1 and USCAR 999-U-002-1-Z02



TECHNICAL CHARACTERISTICS

Interface	AK-1
Serviceability	Serviceable
EMI filtering device	Ferrite
Locking type	Active CPA*
Termination technology	Welding

* Connector Position Assurance



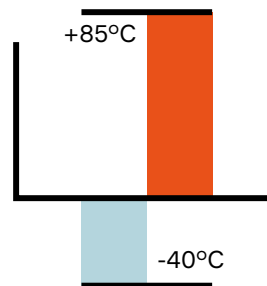
APPLICATIONS

Passenger compartment

See back page for representative part numbers and packaging dimensions.



TEMPERATURE



CONTACT RESISTANCE



DIELECTRIC TEST



PULL-OUT FORCE



About Aptiv

Aptiv is a global technology company that develops safer, greener and more connected solutions enabling the future of mobility. Headquartered in Dublin, Aptiv has approximately 150,000 employees and operates 14 technical centers, as well as manufacturing sites and customer support centers in 45 countries.



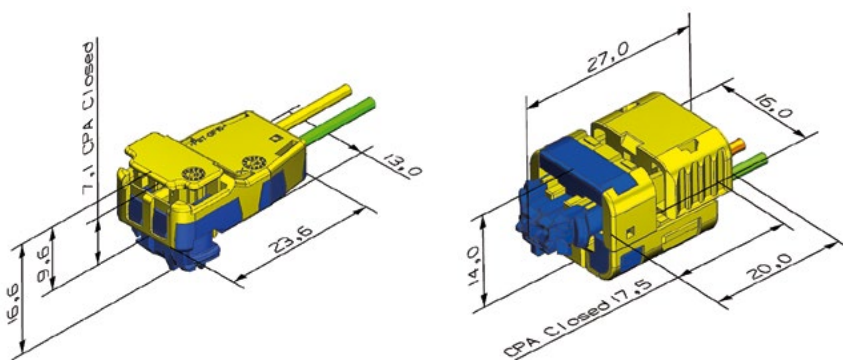


Product code	FAB90-5	FAB180-5
Interface	AK-1	AK-1
Available codings	A, B, C	A, B, C
Compatible wire size	0.5 mm ²	0.5 mm ²

For the matching part numbers, please contact your Aptiv representatives.



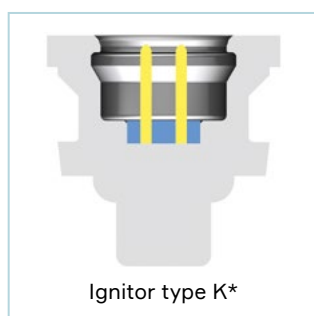
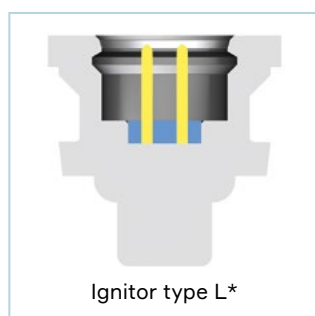
DIMENSION MEASUREMENT SAMPLE



The dimension are in mm.



MATES WITH



* Ignitors are not manufactured by Aptiv, please contact your usual supplier.

Алматы (7273)495-231
Ангарск (3955)60-70-56
Архангельск (8182)63-90-72
Астрахань (8512)99-46-04
Барнаул (3852)73-04-60
Белгород (4722)40-23-64
Благовещенск (4162)22-76-07
Брянск (4832)59-03-52
Владивосток (423)249-28-31
Владикавказ (8672)28-90-48
Владимир (4922)49-43-18
Волгоград (844)278-03-48
Вологда (8172)26-41-59
Воронеж (473)204-51-73
Екатеринбург (343)384-55-89

Иваново (4932)77-34-06
Ижевск (3412)26-03-58
Иркутск (395)279-98-46
Казань (843)206-01-48
Калининград (4012)72-03-81
Калуга (4842)92-23-67
Кемерово (3842)65-04-62
Киров (8332)68-02-04
Коломна (4966)23-41-49
Кострома (4942)77-07-48
Краснодар (861)203-40-90
Красноярск (391)204-63-61
Курск (4712)77-13-04
Курган (3522)50-90-47
Липецк (4742)52-20-81

Магнитогорск (3519)55-03-13
Москва (495)268-04-70
Мурманск (8152)59-64-93
Набережные Челны (8552)20-53-41
Нижний Новгород (831)429-08-12
Новокузнецк (3843)20-46-81
Ноябрьск (3496)41-32-12
Новосибирск (383)227-86-73
Омск (3812)21-46-40
Орел (4862)44-53-42
Оренбург (3532)37-68-04
Пенза (8412)22-31-16
Петрозаводск (8142)55-98-37
Псков (8112)59-10-37

Пермь (342)205-81-47
Ростов-на-Дону (863)308-18-15
Рязань (4912)46-61-64
Самара (846)206-03-16
Саранск (8342)22-96-24
Санкт-Петербург (812)309-46-40
Саратов (845)249-38-78
Севастополь (8692)22-31-93
Симферополь (3652)67-13-56
Смоленск (4812)29-41-54
Сочи (862)225-72-31
Ставрополь (8652)20-65-13
Сургут (3462)77-98-35
Сыктывкар (8212)25-95-17
Тамбов (4752)50-40-97

Тверь (4822)63-31-35
Тольятти (8482)63-91-07
Томск (3822)98-41-53
Тула (4872)33-79-87
Тюмень (3452)66-21-18
Ульяновск (8422)24-23-59
Улан-Удэ (3012)59-97-51
Уфа (347)229-48-12
Хабаровск (4212)92-98-04
Чебоксары (8352)28-53-07
Челябинск (351)202-03-61
Череповец (8202)49-02-64
Чита (3022)38-34-83
Якутск (4112)23-90-97
Ярославль (4852)69-52-93

Россия +7(495)268-04-70

Казахстан +7(7172)727-132

Киргизия +996(312)96-26-47

www.ap tiv.nt-rt.ru | | avi@nt-rt.ru