

Алматы (7273)495-231  
Ангарск (3955)60-70-56  
Архангельск (8182)63-90-72  
Астрахань (8512)99-46-04  
Барнаул (3852)73-04-60  
Белгород (4722)40-23-64  
Благовещенск (4162)22-76-07  
Брянск (4832)59-03-52  
Владивосток (423)249-28-31  
Владикавказ (8672)28-90-48  
Владимир (4922)49-43-18  
Волгоград (844)278-03-48  
Вологда (8172)26-41-59  
Воронеж (473)204-51-73  
Екатеринбург (343)384-55-89

Иваново (4932)77-34-06  
Ижевск (3412)26-03-58  
Иркутск (395)279-98-46  
Казань (843)206-01-48  
Калининград (4012)72-03-81  
Калуга (4842)92-23-67  
Кемерово (3842)65-04-62  
Киров (8332)68-02-04  
Коломна (4966)23-41-49  
Кострома (4942)77-07-48  
Краснодар (861)203-40-90  
Красноярск (391)204-63-61  
Курск (4712)77-13-04  
Курган (3522)50-90-47  
Липецк (4742)52-20-81

Магнитогорск (3519)55-03-13  
Москва (495)268-04-70  
Мурманск (8152)59-64-93  
Набережные Челны (8552)20-53-41  
Нижний Новгород (831)429-08-12  
Новокузнецк (3843)20-46-81  
Ноябрьск (3496)41-32-12  
Новосибирск (383)227-86-73  
Омск (3812)21-46-40  
Орел (4862)44-53-42  
Оренбург (3532)37-68-04  
Пенза (8412)22-31-16  
Петрозаводск (8142)55-98-37  
Псков (8112)59-10-37

Пермь (342)205-81-47  
Ростов-на-Дону (863)308-18-15  
Рязань (4912)46-61-64  
Самара (846)206-03-16  
Саранск (8342)22-96-24  
Санкт-Петербург (812)309-46-40  
Саратов (845)249-38-78  
Севастополь (8692)22-31-93  
Симферополь (3652)67-13-56  
Смоленск (4812)29-41-54  
Сочи (862)225-72-31  
Ставрополь (8652)20-65-13  
Сургут (3462)77-98-35  
Сыктывкар (8212)25-95-17  
Тамбов (4752)50-40-97

Тверь (4822)63-31-35  
Тольятти (8482)63-91-07  
Томск (3822)98-41-53  
Тула (4872)33-79-87  
Тюмень (3452)66-21-18  
Ульяновск (8422)24-23-59  
Улан-Удэ (3012)59-97-51  
Уфа (347)229-48-12  
Хабаровск (4212)92-98-04  
Чебоксары (8352)28-53-07  
Челябинск (351)202-03-61  
Череповец (8202)49-02-64  
Чита (3022)38-34-83  
Якутск (4112)23-90-97  
Ярославль (4852)69-52-93

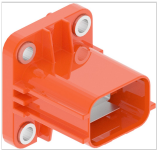
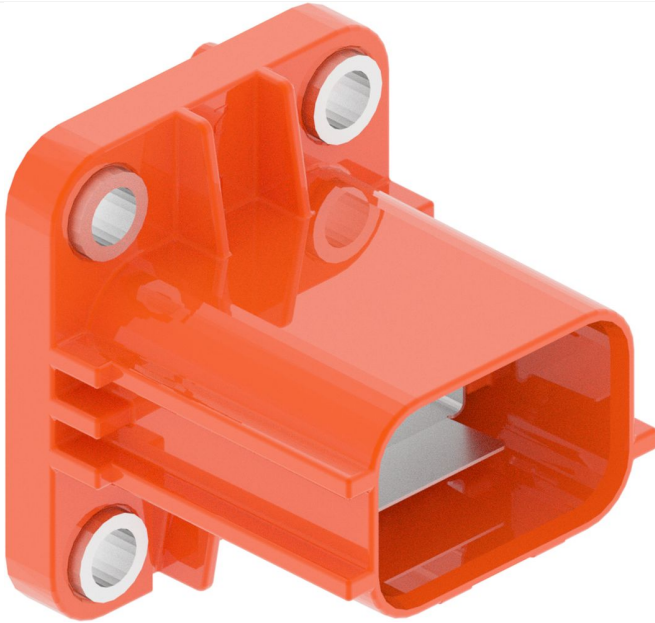
Россия +7(495)268-04-70

Казахстан +7(7172)727-132

Киргизия +996(312)96-26-47

[www.aptiv.nt-rt.ru](http://www.aptiv.nt-rt.ru) | | [avi@nt-rt.ru](mailto:avi@nt-rt.ru)

**Технические характеристики на  
высоковольтные межсоединительные колодки  
Generic HV Interconnects, POWERPACK LV1000,  
POWERPACK HV LV2000, POWERPACK 2000,  
POWERPACK APXH950 UI OBC, POWERPACK 48V  
КОМПАНИИ **APTIV PLC****



**Part Number:** 35201196

**Product Name:** [Generic HV Interconnects](#)

2 + 2 Way SHIELDPACK™ HV 280 SI / HV CTS630 SI

## Attributes

Product Family  
Generic HV Interconnects

Sealing  
Unsealed

No. of Ways (Power)  
4

Primary Material  
PBT GF 20

Cable Exit Orientation  
180°

Coding/Index  
101

Gender  
Male

Amperage at 85°C  
40 A

Length (mm)  
42.66

HVIL  
False

Width (mm)  
37.66

Cable Shielding  
Individual

Height (mm)  
36.58

Voltage  
1000 V

Color  
ORANGE

Weight (g)  
21.47212

---

**Part Number:** 15512758

**Product Name:** [Generic HV Interconnects](#)

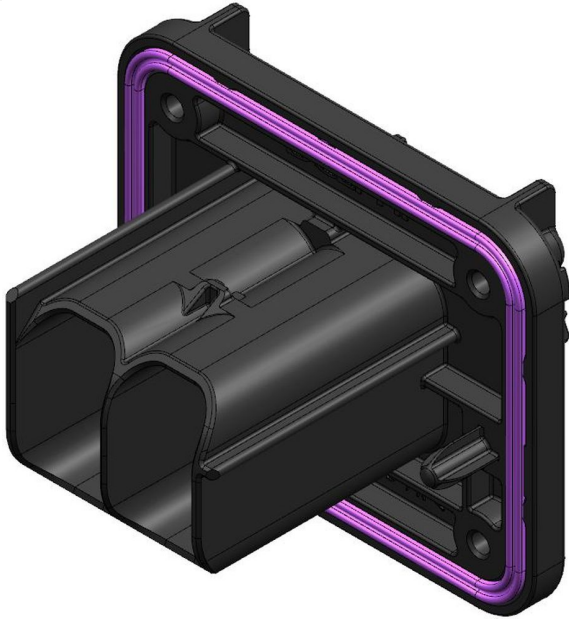
2 Way POWERPACK 2000



---

## Attributes

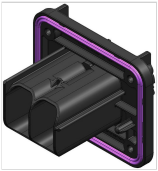
Product Family Generic HV Interconnects	Weight (g) 144.9397
No. of Ways (Power) 2	Sealing Unsealed
Cable Exit Orientation 180°	Primary Material PBT GF 30
Gender Female	HVIL False
Length (mm) 79.7	Cable Shielding Individual
Width (mm) 78.05	Assembly Assurance Connector Position Assurance
Height (mm) 117.16	
Color ORANGE	



**Part Number:** 13959822

**Product Name:** [Generic HV Interconnects](#)

2 Way POWERPACK 2000



## Attributes

Product Family  
Generic HV Interconnects

Weight (g)  
69.605

No. of Ways (Power)  
2

Sealing  
Unsealed

Cable Exit Orientation  
180°

Primary Material  
PA 6T / 66 GF 33

Gender  
Male

Amperage at 85°C  
120 A

Length (mm)  
63

HVIL  
False

Width (mm)  
78

Voltage  
48 V

Height (mm)  
76.77

Color  
BLACK

---

**Part Number:** 13737768

**Product Name:** [Generic HV Interconnects](#)

2 + 2 Way SHIELDPACK™ HV 280



---

## Attributes

Product Family  
Generic HV Interconnects

Color  
ORANGE

No. of Ways (Power)  
4

Weight (g)  
37.426

Cable Exit Orientation  
180°

Sealing  
Unsealed

Gender  
Male

Primary Material  
PBT GF 10

Length (mm)  
56

HVIL  
False

Width (mm)  
56

Height (mm)  
51.93

---

**Part Number:** 13737767

**Product Name:** [Generic HV Interconnects](#)

2 + 2 Way SHIELDPACK™ HV 280



---

## Attributes

Product Family  
Generic HV Interconnects

Color  
ORANGE

No. of Ways (Power)  
4

Weight (g)  
37.426

Cable Exit Orientation  
180°

Sealing  
Unsealed

Gender  
Male

Primary Material  
PBT GF 10

Length (mm)  
56

HVIL  
False

Width (mm)  
56

Height (mm)  
51.93



**Part Number:** 13737736  
**Product Name:** Generic HV Interconnects  
2 Way SHIELDPACK™ HV  
280 SI



### Attributes

Product Family Generic HV Interconnects	Weight (g) 32.7355
No. of Ways (Power) 2	Sealing Unsealed
Cable Exit Orientation 180°	Primary Material PBT GF 15
Gender Female	Coding/Index 101
Length (mm) 42.02	HVIL False
Width (mm) 37.31	Cable Shielding Individual
Height (mm) 70.75	
Color ORANGE	

---

**Part Number:** 13520909

**Product Name:** [Generic HV Interconnects](#)

1 Way POWERPACK 2000



---

## Attributes

Product Family  
Generic HV Interconnects

Color  
BLACK

No. of Ways (Power)  
1

Weight (g)  
29.8405

Cable Exit Orientation  
180°

Sealing  
Unsealed

Gender  
Male

Primary Material  
PBT GF 20

Length (mm)  
32.1

HVIL  
False

Width (mm)  
37.26

Height (mm)  
92.85



---

**Part Number:** 13520386

**Product Name:** [Generic HV Interconnects](#)

1 Way POWERPACK 2000



---

## Attributes

Product Family  
Generic HV Interconnects

Color  
BLACK

No. of Ways (Power)  
1

Weight (g)  
41.166

Cable Exit Orientation  
180°

Sealing  
Unsealed

Gender  
Male

Primary Material  
PBT GF 30

Length (mm)  
50

HVIL  
False

Width (mm)  
40

Height (mm)  
73.85

# POWERPACK

## LV 2000 INLINE CONNECTOR 1 WAY



### BENEFITS

- High current carrying capacity
- PP 2000 proven terminal system
- Compact system design
- Very few parts to assemble

### FEATURES

- Up to 35 mm<sup>2</sup> cross sections
- For applications with needs up to 210A
- Silver-plated multi-contact terminal system
- Ultrasonic weld connection for higher amperage performances



### AVAILABLE CONFIGURATIONS

Connector Type	Wire-to-device
Cable Exit Orientation	180°
Cable Range (mm <sup>2</sup> )	16, 25, 35
Terminal Type	17.7 mm Blade Contact
# of Cavities	1
Assembly Assurance	CPA
# of Code Indexes	2



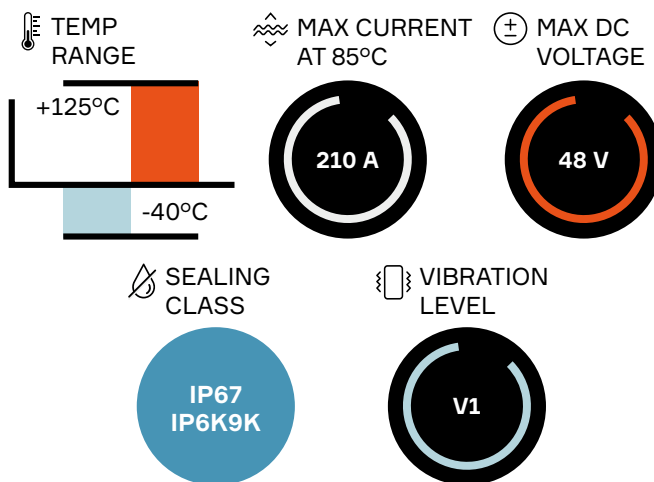
### APPLICATIONS

48V Applications:  
High Current Harnesses & Devices

See back page for representative part numbers and packaging dimensions.



### PERFORMANCE



### About Aptiv

Aptiv is a global technology company that develops safer, greener and more connected solutions enabling the future of mobility.



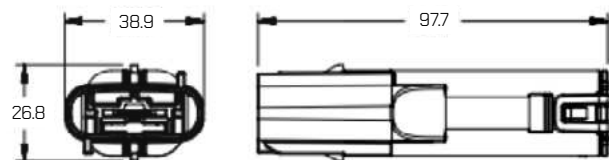
Index	Inline Male Connector	Inline Female Connector	BOM
101	35191198	35191203	1
102	35191202	35191204	

## ASSOCIATED PARTS

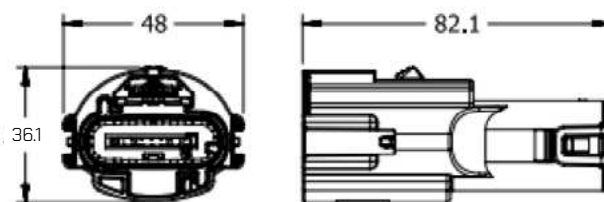
16 mm <sup>2</sup> Cable	Part Number		Description	BOM
	25 mm <sup>2</sup> Cable	35 mm <sup>2</sup> Cable		
<b>Inline male connector</b>				
	35228529		PP 2000 180° Sonic Weld Male Terminal	1
35191210	35191211	35191212	Cable Seal	1
35191213	35191214	35191215	Seal Retainer	1
<b>Mating connector</b>				
	13815981		PP 2000 180° Sonic Weld Female Terminal	1
35191210	35191211	35191212	Cable Seal	1
35191213	35191214	35191215	Seal Retainer	1



## DIMENSION MEASUREMENT SAMPLE



Header Connector



Mating Connector

# POWERPACK LV1000 1 AND 2 WAY

1 Way Inline Connectors

2 Way Inline Connectors

2 Way Device and Pass-Through Connectors



## BENEFITS

- High current carrying capacity
- Proven terminal system
- Compact system design
- Field proven in both automotive and heavy duty applications

## FEATURES

- Silver-plated multi-contact terminal system
- Sealed panel mount pre-stages prior to fastening
- Panel mount secured in place with self-tapping screws
- Pass-through connection accepts both straight and right angle connectors



## AVAILABLE CONFIGURATIONS

Connector Type	Wire-to-device, wire-to-wire, pass-through
Cable Exit Orientation	180°, 90°
Cable Range (mm <sup>2</sup> )	8 - 25
Terminal Type	Power Pack 1000
# of Power Terminals	1 or 2
Shielding Type	Unshielded
HVIL	None
Assembly Assurance	None
Number of Indexes	2



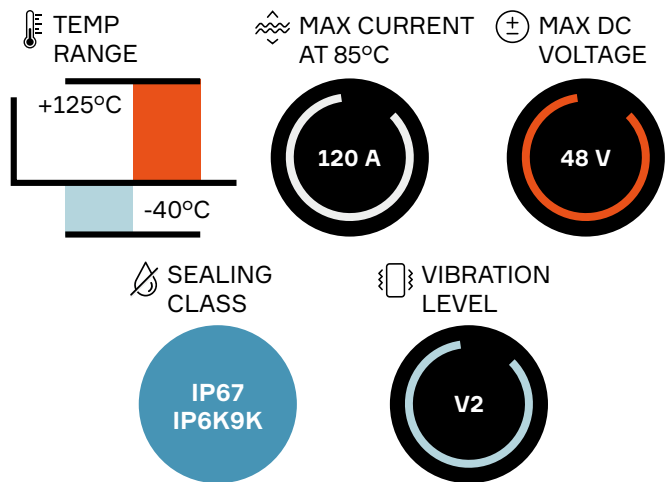
## APPLICATIONS

High current harnesses and devices  
Sealed pass-through panel mount systems

See back page for representative part numbers and packaging dimensions.



## PERFORMANCE



## About Aptiv

Aptiv is a global technology company that develops safer, greener and more connected solutions enabling the future of mobility.



## 1 Way Inline Connectors

Male connector	Mating connector	BOM
13882980	13952702	1

## 2 Way Inline Connectors

Index	Male connector	Mating connector	BOM
103	13849747	13849756	1
104	13849748	13849757	

## 2 Way Device and Pass-Through Connectors

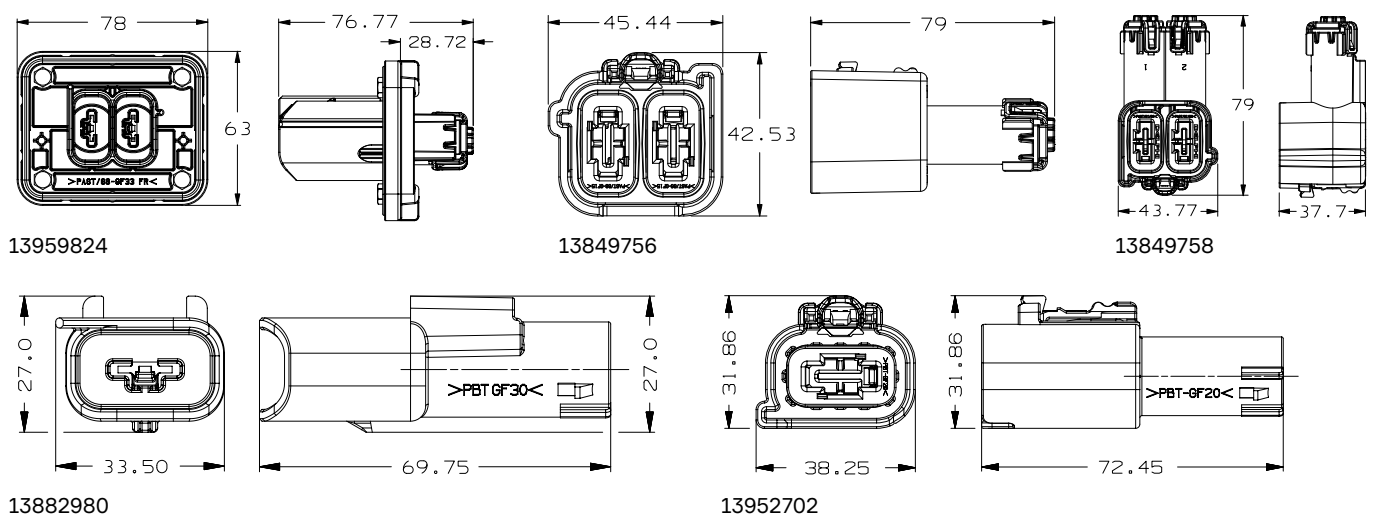
Index	Header connector	Mating connector		BOM
		180°	90°	
103	13959824	13849756	13849758	1

## ASSOCIATED PARTS

Part number	Description	BOM
<b>Header / Male inline</b>		
13675577	PP1000 silver-plated 8 - 10 mm <sup>2</sup>	1
13675579	PP1000 silver-plated 19 - 25 mm <sup>2</sup>	
<b>Mating connector</b>		
13675583	PP1000 silver-plated 8 - 10 mm <sup>2</sup>	1
13675585	PP1000 silver-plated 19 - 25 mm <sup>2</sup>	
<b>Seals and Retainers*</b>		
13675510	Cable seal PP1000 4.54 - 5.79 dia cable (grey) 8 - 10 mm <sup>2</sup>	1
13675513	Cable seal PP1000 1.01 - 9.19 dia cable (blue) 19 - 25 mm <sup>2</sup>	
13849785	Cable seal retainer PP1000 8 - 10 mm <sup>2</sup>	1
13849788	Cable seal retainer PP1000 19 - 25 mm <sup>2</sup>	

\* For both header, male inline + mating connector

## DIMENSION MEASUREMENT SAMPLE



# POWERPACK 48V SEALED RING CONNECTOR 1 WAY



## AVAILABLE CONFIGURATIONS

Connector Type	Wire-to-device
Cable Exit Orientation	90°
Cable Range (mm <sup>2</sup> )	35, 50
Terminal Type	M8 ring terminal
# of Power Terminals	1
Shielding Type	Unshielded
HVIL	None
Assembly Assurance	None
Number of Indexes	2



## APPLICATIONS

48V electrical centers	Battery
Power distribution boxes	Active suspension
Start-stop systems	BSG units
E-turbo	

See back page for representative part numbers and packaging dimensions.

## BENEFITS

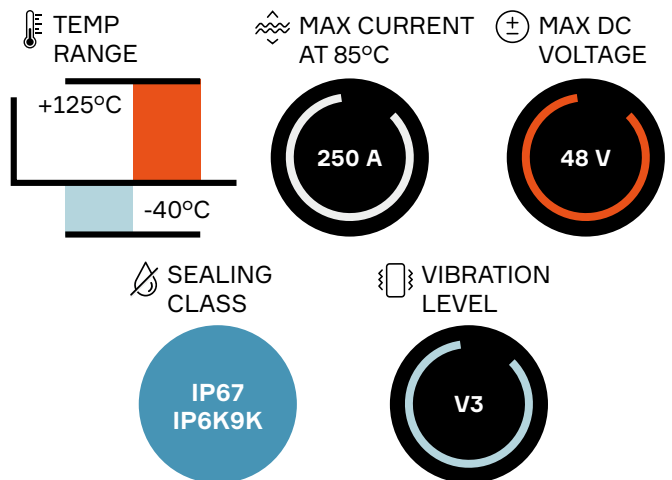
- Fast and easy assembly process
- High robustness against vibrations
- High current carrying capabilities

## FEATURES

- Ideal solution for 12 to 48V requiring sealed ring connections
- Can be screwed from the top
- Header interface available for system supplier integration on the box
- M8 ring terminal bolted to device



## PERFORMANCE



## About Aptiv

Aptiv is a global technology company that develops safer, greener and more connected solutions enabling the future of mobility.

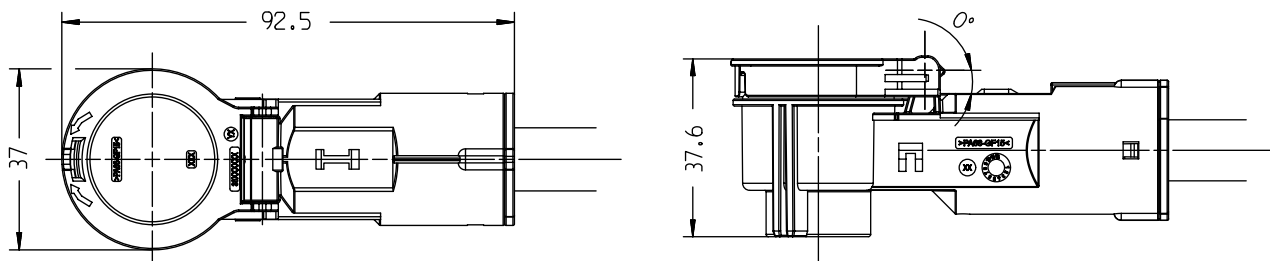


Code	Mating connector	Header connector	BOM
A	33376962	Please contact your Aptiv representative for more information	1
B	33376953	Please contact your Aptiv representative for more information	1

## ASSOCIATED PARTS

Part number	Type	Applicable wire size (mm <sup>2</sup> )	Cable type	BOM
33376821	Single wire seal retainer	35 - 50	-	2
33329995	M8 O-ring terminal	35 - 50	-	1
35093138	Single wire seal	35	Unshielded	1

## DIMENSION MEASUREMENT SAMPLE



33376962



# POWERPACK

## HV APEX950 UI OBC



PowerPack HV APEX950 UI OBC

### BENEFITS

- Header is sealed in mated or unmated position
- Unshielded 4 + 1 way to connector designed for on-board chargers up to 125A 3-phase
- Panel mount to device with face seal to module

### FEATURES

- Unique integrated electric interlock
- HVIL shunted in harness connector
- ErgoMate™ slider for easy handling and reduced mating force



### AVAILABLE CONFIGURATIONS

Connector Type	Wire-to-device
Cable Exit Orientation	180°
Cable Range (mm <sup>2</sup> )	10 - 16 (power) 0.5 (HVIL)
Terminal Type	9.5
# of Terminals	4 (9.5) + 1 (2.8)
Shielding Type	Unshielded
HVIL	Shunt on female
Assembly Assurance	CPA
Number of Indexes	1



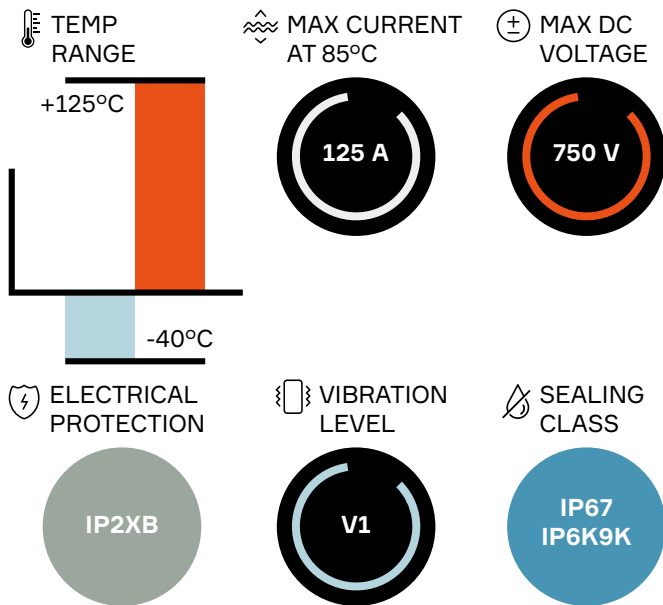
### APPLICATIONS

On-board charger (OBC)

See back page for representative part numbers and packaging dimensions.

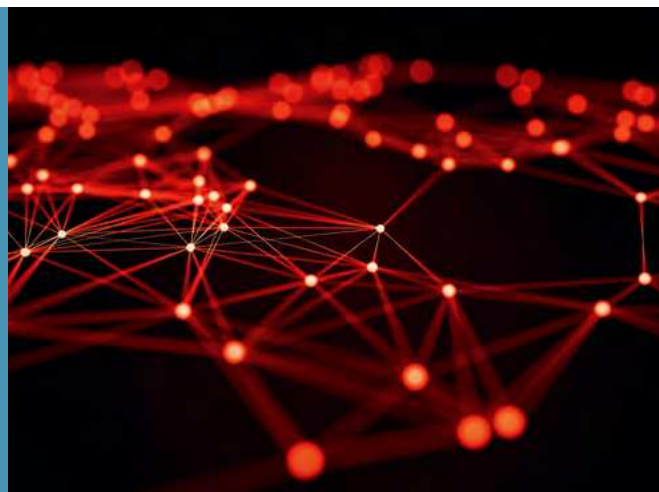


### TECHNICAL CHARACTERISTICS



### About Aptiv

Aptiv is a global technology company that develops safer, greener and more connected solutions enabling the future of mobility.



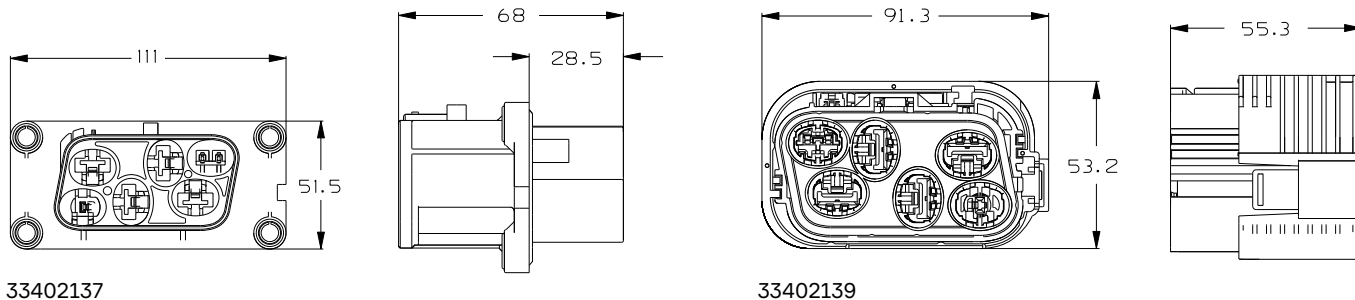


Header connector	Mating connector	BOM
33402137	33402139	1

## ASSOCIATED PARTS

Part number	Description	BOM
<b>Header</b>		
33514386	APEX® 950 10 - 16 mm <sup>2</sup>	4
15516298	APEX® 2.8 4 mm <sup>2</sup>	1
10779703	DCS2 1.5 male terminal gold-plated 0.5 - 1.0 mm <sup>2</sup>	2
<b>Mating connector</b>		
33514387	APEX® 950 10 - 16 mm <sup>2</sup>	4
10810733	APEX® 2.8 4 mm <sup>2</sup>	1
<b>Seals</b>		
33503295	Header and mating: APEX® 950 yellow single wire seal 16 mm <sup>2</sup>	4
33503294	Header and mating: APEX® 950 blue single wire seal 10 mm <sup>2</sup>	
33512175	Header and mating: APEX® 2.8 red single wire seal 4 mm <sup>2</sup>	1
15441379	Header and mating: APEX® DCS 1.5 red single wire seal 0.22 - 0.5 mm <sup>2</sup>	2

## DIMENSION MEASUREMENT SAMPLE



**Алматы** (7273)495-231  
**Ангарск** (3955)60-70-56  
**Архангельск** (8182)63-90-72  
**Астрахань** (8512)99-46-04  
**Барнаул** (3852)73-04-60  
**Белгород** (4722)40-23-64  
**Благовещенск** (4162)22-76-07  
**Брянск** (4832)59-03-52  
**Владивосток** (423)249-28-31  
**Владикавказ** (8672)28-90-48  
**Владимир** (4922)49-43-18  
**Волгоград** (844)278-03-48  
**Вологда** (8172)26-41-59  
**Воронеж** (473)204-51-73  
**Екатеринбург** (343)384-55-89

**Иваново** (4932)77-34-06  
**Ижевск** (3412)26-03-58  
**Иркутск** (395)279-98-46  
**Казань** (843)206-01-48  
**Калининград** (4012)72-03-81  
**Калуга** (4842)92-23-67  
**Кемерово** (3842)65-04-62  
**Киров** (8332)68-02-04  
**Коломна** (4966)23-41-49  
**Кострома** (4942)77-07-48  
**Краснодар** (861)203-40-90  
**Красноярск** (391)204-63-61  
**Курск** (4712)77-13-04  
**Курган** (3522)50-90-47  
**Липецк** (4742)52-20-81

**Магнитогорск** (3519)55-03-13  
**Москва** (495)268-04-70  
**Мурманск** (8152)59-64-93  
**Набережные Челны** (8552)20-53-41  
**Нижний Новгород** (831)429-08-12  
**Новокузнецк** (3843)20-46-81  
**Ноябрьск** (3496)41-32-12  
**Новосибирск** (383)227-86-73  
**Омск** (3812)21-46-40  
**Орел** (4862)44-53-42  
**Оренбург** (3532)37-68-04  
**Пенза** (8412)22-31-16  
**Петрозаводск** (8142)55-98-37  
**Псков** (8112)59-10-37

**Пермь** (342)205-81-47  
**Ростов-на-Дону** (863)308-18-15  
**Рязань** (4912)46-61-64  
**Самара** (846)206-03-16  
**Саранск** (8342)22-96-24  
**Санкт-Петербург** (812)309-46-40  
**Саратов** (845)249-38-78  
**Севастополь** (8692)22-31-93  
**Симферополь** (3652)67-13-56  
**Смоленск** (4812)29-41-54  
**Сочи** (862)225-72-31  
**Ставрополь** (8652)20-65-13  
**Сургут** (3462)77-98-35  
**Сыктывкар** (8212)25-95-17  
**Тамбов** (4752)50-40-97

**Тверь** (4822)63-31-35  
**Тольятти** (8482)63-91-07  
**Томск** (3822)98-41-53  
**Тула** (4872)33-79-87  
**Тюмень** (3452)66-21-18  
**Ульяновск** (8422)24-23-59  
**Улан-Удэ** (3012)59-97-51  
**Уфа** (347)229-48-12  
**Хабаровск** (4212)92-98-04  
**Чебоксары** (8352)28-53-07  
**Челябинск** (351)202-03-61  
**Череповец** (8202)49-02-64  
**Чита** (3022)38-34-83  
**Якутск** (4112)23-90-97  
**Ярославль** (4852)69-52-93

Россия +7(495)268-04-70

Казахстан +7(7172)727-132

Киргизия +996(312)96-26-47

[www.ap tiv.nt-rt.ru](http://www.ap tiv.nt-rt.ru) | | [avi@nt-rt.ru](mailto:avi@nt-rt.ru)